

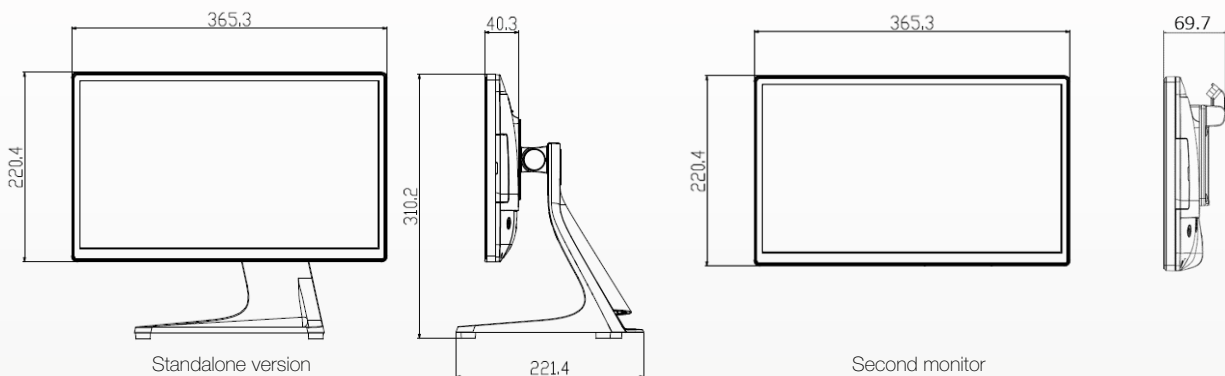
15.6" Customer display



- 15.6" TFT Full HD LCD, 300 nits
- Slim edge bezel
- Type C USB interface
- Aluminum housing design
- Integrated protection glass
- Hidden OSD control buttons
- Sleek surface throughout monitor's appearance
- Supports portrait screen mode
- 75 × 75 VESA, pole or stand available

Specifications – Customer display

		Customer display
Display	LCD size	39.6 cm (15.6") LCD
	Max. resolution	1.920 × 1080 pixels (Full HD)
	Brightness	300 nits, LED
	Contrast ratio	1.000:1
	Response time	20 ms
	Touchscreen	PCAP (optional)
	Viewing angle	85/85/85/85 degrees (up/down/left/right)
Interfaces	USB C	1x (for display only)
	USB 2.0	2x (1x rear, 1x side)
	12V DC in	1x (standalone version only)
	Power supply	DC 12V 24W adapter
Other	Dimensions (W × H × D)	365 × 310 × 221 mm (standalone) / 365 × 220 × 70 mm (second display)
	Temperature (operation)	0 °C – 40 °C
	Relative humidity	20–80 %, non-condensing
	Approvals	CE / FCC / LVD
	Mounting	VESA 75 × 75 mm



Your partner